

### Turbine and helical vane meters “DEMI” range suitable for aggressive waters

- Turbine water meters Mod. USF-D cold water 30°C/USC-D hot water 90°C, single jet, dry dial, direct reading, (option with pulsed output Mod USLF-D/USLC-D available)
- Turbine water meters Mod. IARF-D cold water 30°C/IARC-D hot water 90°C, multijet, dry dial, direct reading (option with pulsed output Mod. IALF-D/IALC-D available)
- Helical vane Woltmann meter Mod. WALF-R cold water 30°C / WALC-R hot water 130°C, dry dial, direct reading, pre-equipped for pulse output for remote reading
- PTFE internal coating on metallic parts in contact with fluid and for turbine models PTFE external coating on body
- Specific internal treatment on metallic parts in contact with fluid on Woltmann helical vane models
- All models “DEMI” are suitable for particularly aggressive waters (demi, osmotic, softened) thanks to their smooth internal surface and to their anticorrosion barrier effect
- Models are not MID 2014/32/CE approved
- All turbine models are supplied without couplings



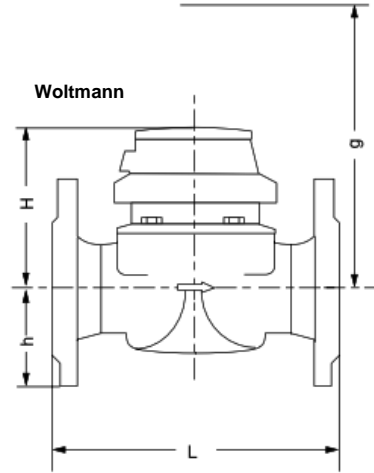
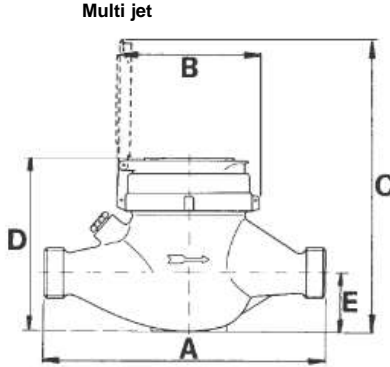
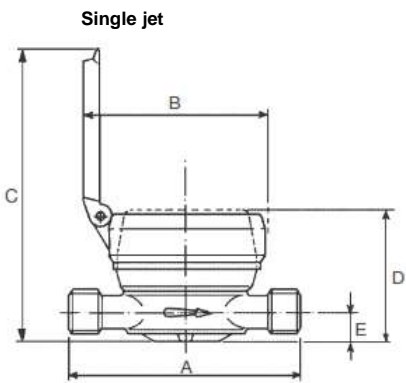
TURBINE DN size			13	20	25	30	40	50
$Q_{max}$	Max flow rate for short time	m <sup>3</sup> /h	3	5	7	10	20	30
$Q_n$	Nominal flow rate	m <sup>3</sup> /h	1,5	2,5	3,5	5	10	15
$Q_t$	Min. flow rate with MPE $\pm$ 2%	l/h	120	200	280	400	800	3000
$Q_{min}$	Min. flow rate with MPE $\pm$ 5%	l/h	30	50	70	100	200	450
	Accuracy USF-D/USLF-D USC-D/USLC-D	l/h	7	15				
	Accuracy IARF-D/IALF-D IARC-D/IALC-D	l/h	10	12	22	22	50	60
	Pre-setting for reed switch	K	0,25-0,5-1-2,5-5-10-25-50-100-250-500-1000					

Single jet	DN	15	20
Length without couplings A	mm	110	130
Max. diameter B	mm	72	72
Height with open lid C	mm	138	143
Height with closed lid D	mm	70	74
Height of tube E	mm	16	19

Multi jet	DN	15	20	25	32	40	50
Length without couplings A	mm	145	190	260	260	300	300
Max. diameter B	mm	96	96	100	100	136	136
Height with open lid C	mm	185	185	200	200	210	220
Height with closed lid D	mm	105	105	120	120	130	140
Height of tube E	mm	35	35	40	40	60	70

WOLTMANN DN size			50	65	80	100	125	150	200
$Q_{max}$	Max flow rate for short time	m <sup>3</sup> /h	90	120	200	300	350	600	1200
$Q_n$	Nominal flow rate	m <sup>3</sup> /h	15	25	40	60	100	150	250
$Q_t$	Min. flow rate with MPE $\pm$ 2%	m <sup>3</sup> /h	0,7	0,8	0,8	1,8	2,0	4,0	6,0
$Q_{min}$	Min. flow rate with MPE $\pm$ 5%	m <sup>3</sup> /h	0,3	0,4	0,5	0,8	1,00	1,8	4,0
	Accuracy	m <sup>3</sup> /h	0,15	0,2	0,25	0,25	0,5	1,0	1,5
	Pre-setting for reed switch	K	100 (Dn50-125) / 1000 (Dn150-200)						
	Flanges		PN16						

Woltmann	DN	50	65	80	100	125	150	200
Length L	mm	200	200	200	250	250	300	350
Height H	mm	120	120	150	150	160	177	206
Height h	mm	73	85	95	105	118	135	162
Height g	mm	200	200	270	270	280	356	441



The Company's policy is one of continuous product improvement and the right is reserved to modify the specification contained herein without notice. Illustrations are not binding. 02-25