



SISMA

G. GIOANOLA

METERING EFFICIENCY

DOMUS COMPLEX



MODELS

CBRF/15 - CBRF/20 - CARF/15 - CARF/20
CBRC/15 - CBRC/20 - CARC/15 - CARC/20



- ❖ Complete chrome-plated assembly consisting of single jet meter and connections (sliding angle stopcock and elbow) with an attractive appearance that makes it suitable for visible installations
- ❖ Model CBRF WET dial, measuring range from R80, for clear water, temperature class T50
- ❖ Model CBRC WET dial, measuring range from R80, for clear water, temperature class T90
- ❖ CARF model DRY dial, measuring range R80, for turbid water or water with calcareous sediments, temperature class T50
- ❖ CARC model DRY dial, measuring range R80, for turbid water or water with calcareous sediments, temperature class T90
- ❖ **U0-D0**: no straight pipe sections upstream and downstream of the meter are required
- ❖ All models are **MID**-approved according to the current directive (module B+D), in accordance with **EN 14154** and **OIML R49**
- ❖ All models are certified for use with potable water according to **Ministerial Decree 174**
- ❖ Supports horizontal and vertical installation position

DOMUS COMPLEX

DN size mm - pollici		15 - 1/2	20 - 3/4		
Q ₃	Permanent flow rate	m ³ /h	2,5	4,0	
Q ₄	Overload flow rate	m ³ /h	3,125	5,0	
Q ₂	Transitional flow rate at measuring range R80H [MPE ±2%]	l/h	50	80	
Q ₁	Minimum flow rate at measuring range R80H [MPE ±5%]	l/h	31,25	50	
S	Starting flow at measuring range R80H	l/h	10	15	
	Accuracy class		2	2	
ΔP	Pressure class	bar	0,63	0,63	
MAP	Max allowed working pressure	bar	16	16	
	Dial from/to	m ³	0,0001/ 100.000	0,0001/ 100.000	
A	Length without couplings	mm	110	130	
B	Length with centre tube connection	mm	215	250	
C	Max diameter	mm	80	80	
D	Height with closed lid	mm	83	83	CBRF
			108	108	CARF
E	Height with open lid	mm	150	150	CBRF
			175	175	CARF
F	Height to tube	mm	24	24	
	Weight with connections	kg	1,400	1,820	CBRF
			1,560	2,000	CARF
	Weight without connections	kg	0,690	0,860	CBRF
			0,890	1,010	CARF
	Threaded connection		G3/4" x R1/2"	G1" x R3/4"	

MODELS:
temperature class T50
WET dial
 CBRF/15 DN 15
 CBRF/20 DN 20

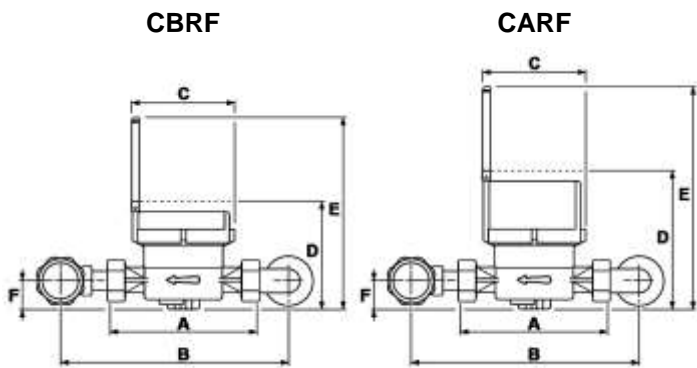
Temperature class T90
WET dial
 CBRC/15 DN 15
 CBRC/20 DN 20

Temperature class T50
DRY dial
 CARF/15 DN 15
 CARF/20 DN 20

Temperature class T90
DRY dial
 CARC/15 DN 15
 CARC/20 DN 20

N.B. More "R" available on request

We reserve the right to change the specifications, dimensions and weights given in this data sheet at any time without prior notice. Illustrations are not binding. 02-25

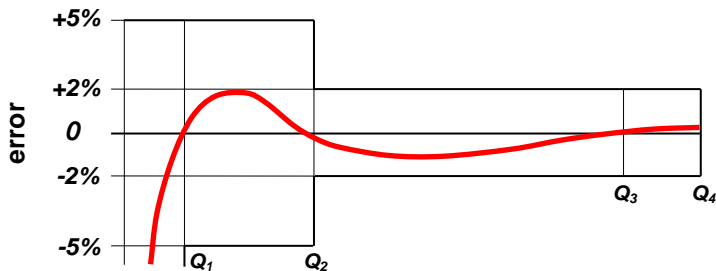


AVAILABLE OPTIONS

- All models can be supplied with radio module for remote reading based on protocol, **868MhZ Wireless M-Bus**



TYPICAL ERROR CURVE



HEAD LOSS DIAGRAM

