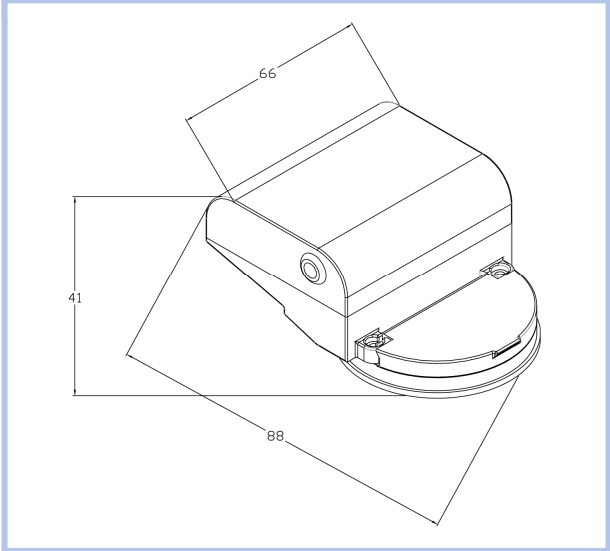


INDUCTIVE SENSOR MOD.PSI

Suitable for pre-equipped water meters models:

IDRF-PI / DDRF-PI / IBRF-PI / DBRF-PI / ISRF-PI / USF-PI / SDUF-PI/SDUC-PI/SVF-PI

- Inductive water flow detection via non-magnetic semi-metallic disc with **K1** pulse resolution (1 pulse/litre) and for Woltmann meters, MID-approved, with **K10** pre-setting from DN 50 to 125 and **K100** from DN 150
- Module protection IP68 for outdoor/indoor installations
- Connection cable to separate radio module L=0.50m 7-wire
- Mode of detection:
 - ✓ Net (compensated for possible reverse flows)
 - ✓ Forward only (with flow direction indication in case of reverse flow)
 - ✓ Dual (separate forward/reverse flow counting)



TECHNICAL CHARACTERISTICS model ICM	
Type	Microprocessor device
Power supply	3.6 V lithium battery
Certifications	CE, EMC (electromagnetic compatibility)
Max. pulse frequency	10 Hz
Ambient operating conditions	-10 °C ... +55 °C
Storage temperature	-20 °C ... +60 °C
Protection class	IP68
Battery life	10 years (depending on operating and environmental conditions)
Transmission activation	Via magnet on instrument body
Communication interface	NFC ready for installation

We reserve the right to change the specifications, dimensions and weights given in this data sheet at any time without notice. Illustrations are not binding.. 02-25