

G. GIOANOLA



WALC MID horizontal helical vane meter suitable for hot water max 130 °C

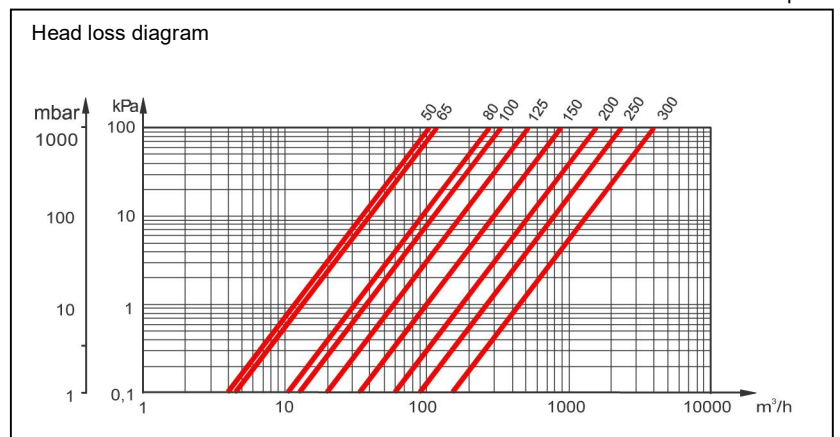
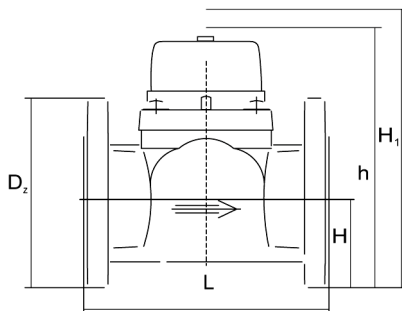
MID approval MID MI004 EN1434 Directive 2004/22/EC

- ❑ Volumetric water meter suitable for connection with separated electronic counter for thermal energy via dry reed contact
- ❑ The internal mechanism can be removed for inspections and maintenance purposes or for replacement
- ❑ 360° rotating dial, magnetic proof from external influences through a metallic protection cover with degree of protection IP66
- ❑ Reed cable 2 mt long / 10W Max power / 10Ω close - 150MΩ open Max. resi stance
- ❑ Standard pulse values (K) K100 from DN50 to DN125 / K1000 from DN150 to DN300 (other pulse values K available on request: K250-K2500)
- ❑ Horizontal, vertical and inclined installation
- ❑ Temperature range θ_{min} 0,1 °C θ_{max} 130 °C
- ❑ Maximum allowed working pressure MAP 1,6 MPa (16 bar)
- ❑ Environmental class C / Accuracy class 3
- ❑ Flanges according to EN1092 PN16



Technical data	DN50	DN65	DN80	DN100	DN125	DN150	DN200	DN250	DN300
Max flow rate for short period [m³/h]	30	50	80	120	200	300	500	800	1200
Permanent flow rate Qn [m³/h]	15	25	40	60	100	150	250	400	600
Minimum flow rate Qi [m³/h]	0,6	1,0	1,6	2,4	4,0	6,0	10	40	60
Max. working pressure [bar]	16	16	16	16	16	16	16	16	16
Starting flow rate [m³/h]	0,25	0,3	0,35	0,6	1,1	2	4	8	15
Maximum reading [m³]	10 ⁶	10 ⁶	10 ⁶	10 ⁶	10 ⁶	10 ⁷	10 ⁷	10 ⁷	10 ⁷
Scale interval [dm³]	0,5	0,5	0,5	0,5	0,5	5	5	5	50
Length L [mm]	200	200	225 200*	250	250	300	350	450	500
Max. height when removing mechanism H ₁ [mm]	287	297	339	349	377	582	607	652	722
Max. height h [mm]	187	197	219	229	257	357	382	427	497
Distance pipe-ground base H [mm]	72	83	95	105	120	135	160	193	230
Flanges outer diameter D ₂ [mm]	165	185	200	220	250	285	340	400	460
Weight [kg]	9,9	10,6	13,3	15,6	18,1	40,1	51,1	75,1	103,1

* on request



The company's policy is one of continuous product improvement and the right is reserved to modify the specifications contained herein without notice. 02-16



G. GIOANOLA SISMA meters

Str. Alessandria 50 - 14049 NIZZA MONF.TO (AT) ITALY - Tel. +39.0141.793536 - Fax +39.0141.702757 - E-mail: info@gioanola.it - <http://www.gioanola.it>