

G. GIOANOLA

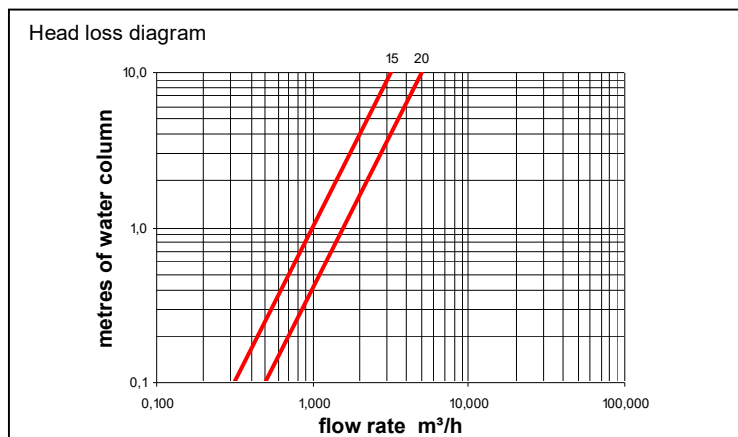
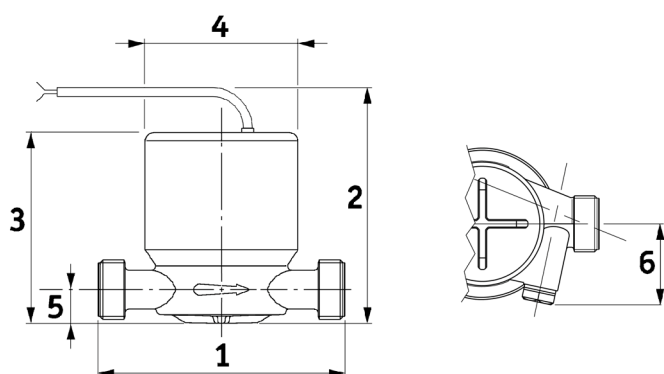


CLSC DN15 and DN20 velocity heat meter for heating, solar and industrial applications

- MI004 MID approved
- For hot water max 90°C (available version for hot water max 120°C)
- Accuracy class 2 EN1434 - Environmental class B
- ❑ Model CSLC-IS/15 DN15 Q_p 1,5 m³/h with M10X1 temperature sensor pocket
- ❑ Model CSLC-IS/20 DN20 Q_p 2,5 m³/h with M10X1 temperature sensor pocket
- ❑ Model CSLC/15 DN15 Q_p 1,5 m³/h without temperature sensor pocket
- ❑ Model CSLC/20 DN20 Q_p 2,5 m³/h without temperature sensor pocket
- ❑ Available, upon request, version DN15 Q_p 0,6 m³/h
- ❑ 360° rotating dry dial, magnetic proof from external influences through a metallic protection cover
- ❑ Horizontal and vertical installation
- ❑ Max working pressure 16 bar
- ❑ Reed switch (clean open collector), max voltage 24 V, 0,2 A, 2 mt standard length cable
- ❑ Pulse values (K) to be stated when ordering: K1 or K10 (other pulse values K available on request)



Technical data	DN15	DN20
Size (inches)	G3/4	G1
Nominal Flow rate Q_p (m ³ /h)	1,5	2,5
Max flow rate Q_s (m ³ /h)	3	5
Min. flow rate Q_i with error $\pm 5\%$ (l/h)	30	50
Max working temperature (in brackets is the optional max. working temperature) (°C)	90 (120)	90 (120)
1 – Length without couplings (mm)	110	130
Length including couplings (mm)	190	228
2 – Max height including reed switch (mm)	106,5	110,5
3 – Max meter height	81,5	85,5
4 – Max diameter (mm)	71	71
5 – Height of tube (mm)	16	19
6 – Temperature sensor pocket length M10x1 - only mod. CSLC-IS (mm)	38	38
Weight without couplings (g)	675	775



The company's policy is one of continuous product improvement and the right is reserved to modify the specifications contained herein without notice. 02-16



G. GIOANOLA SISMA meters

Str. Alessandria 50 - 14049 NIZZA MONF.TO (AT) ITALY - Tel. +39.0141.793536 - Fax +39.0141.702757 - E-mail: info@gioanola.it – http://www.gioanola.it